

## Model# 0285-A-Q

### Two Handle Bar/Pantry Faucet

#### FEATURES & SPECIFICATIONS

- Tear Drop Handles
- 5-1/2" Gooseneck Swivel Spout
- 1-1/16-14 NPS Male Thread
- Quick-Presson Quarter-Turn Stems, Replaceable Seats
- 1-Hole Installation
- Copper Supply Tubes 1.5 GPM Flow Rate
- 1.5 GPM Flow Rate

#### FINISHES

- PC Polished Chrome

#### STANDARDS

- ASME A112.18.1
- ANSI / NSF 61, SECTION 9
- CUPC / IAPMO LISTED
- ANSI A117.1 / ADA COMPLIANT
- CONTAINS NO MORE THAN 0.25% WEIGHTED AVERAGE LEAD CONTENT



#### FLOW

- 1.5 GPM Flow Rate

#### WARRANTY

- Lifetime Limited Warranty
- Lifetime Residential Warranty
- 5 Year Commercial Warranty

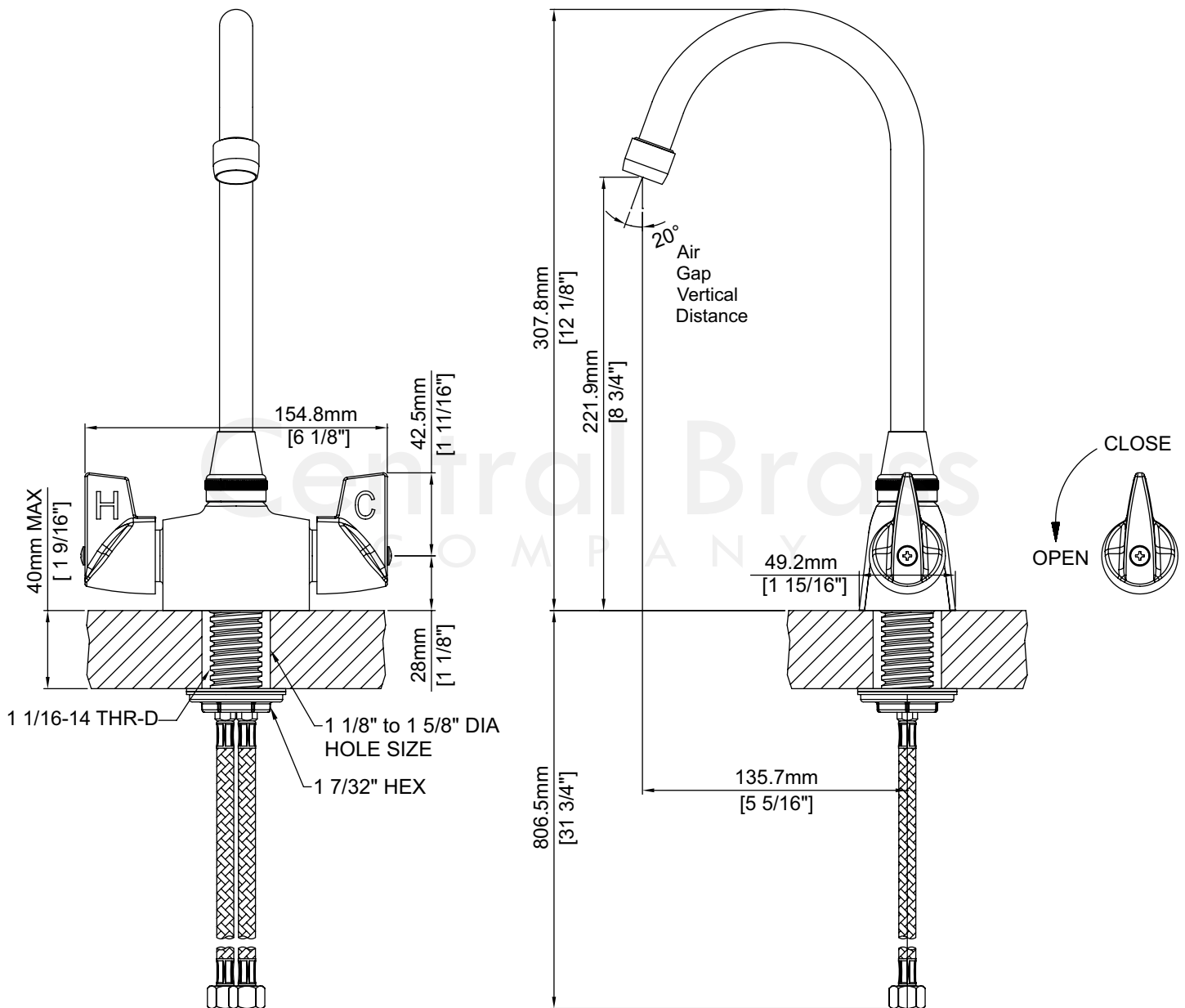
0285-A-Q/REV. 11 2016

Product Specifications subject to change without notice

Job Name \_\_\_\_\_ Date \_\_\_\_\_  
Model Specified \_\_\_\_\_ QTY \_\_\_\_\_  
Customer/Wholesaler \_\_\_\_\_  
Contractor \_\_\_\_\_  
Architect/Engineer \_\_\_\_\_  
Submitted as Shown \_\_\_\_\_  
Submitted w/ Variations \_\_\_\_\_

## Model# 0285-A-Q

### Two Handle Bar/Pantry Faucet



0285-A-Q/REV. 11 2016

Product Specifications subject to change without notice